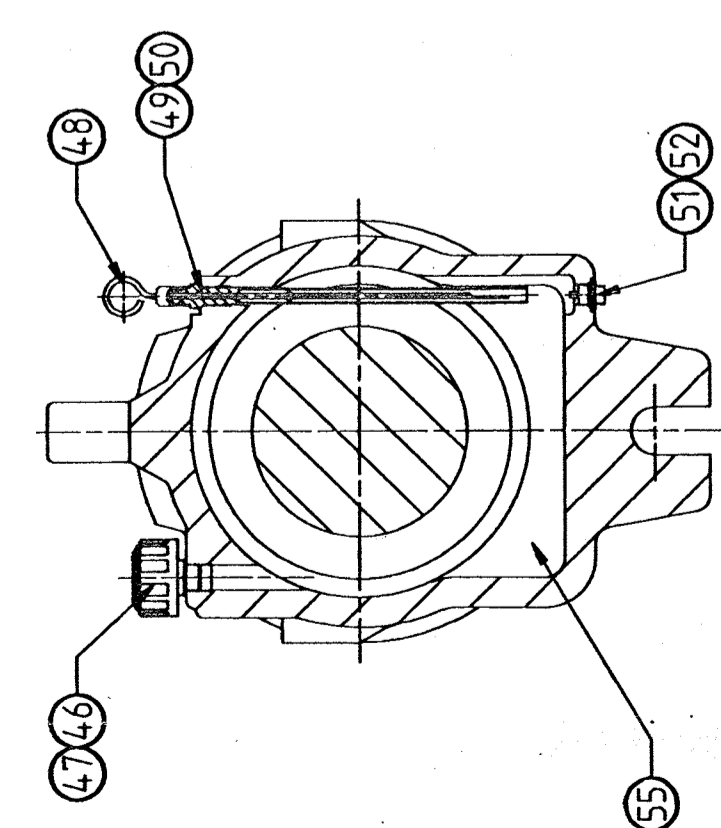
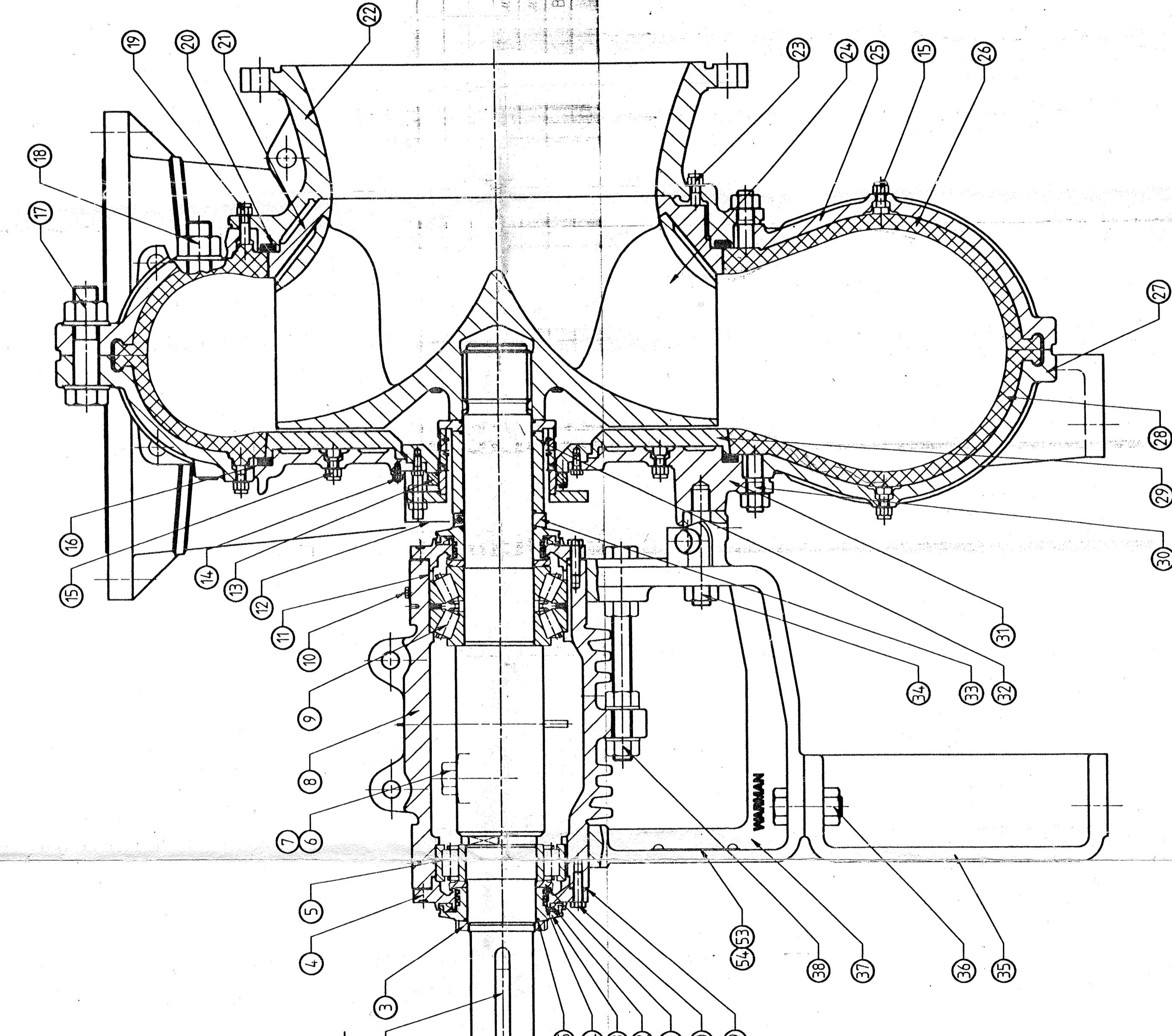


| ITEM | QTY | DESCRIPTION | PART No. | ITEM | QTY | DESCRIPTION | PART No. | ITEM | QTY | DESCRIPTION | PART No. |
|------|-----|---------------------|-----------|------|-----|---------------------------------|--------------|------|-----|---------------------|--------------|
| 51 | 1 | DRAIN PLUG | PD176-K11 | 41 | 2 | FLINGER | TYGSM184-E02 | 1 | 1 | SHAFT | TYGSM073-E05 |
| 52 | 1 | DRAIN PLUG 'O' RING | 26T20N117 | 42 | 2 | GRIT SEAL | T390-1S10 | 2 | 1 | SHAFT KEY | T070-E05 |
| 53 | 1 | NAMEPLATE | | 43 | 2 | LABYRINTH | TYGSM062-D70 | 3 | 1 | LABYRINTH LOCKNUT | TK061-1C23 |
| 54 | 4 | NAMEPLATE RIVET | | 44 | 6 | PISTON RING | T108-G02 | 4 | 2 | END COVER | TYGSM024-D20 |
| 55 | — | 7.2 LITRES OF OIL | | 45 | 4 | LABYRINTH/SHAFT SLEEVE 'O' RING | 43122-S10 | 5 | 1 | BEARING (DRIVE END) | T009D |
| 56 | | | | 46 | 1 | BREATHER | TY371 | 6 | 4 | CLAMP BOLT | T02M-E62 |
| 57 | | | | 47 | 1 | REDUCING BUSH | WP12P25-8E | 7 | 4 | CLAMP WASHER | T011-E62 |
| 58 | | | | 48 | 1 | DIPSTICK | T392-K11 | 8 | 1 | BEARING HOUSING | TYGSM004-D20 |
| 59 | | | | 49 | 1 | DIPSTICK HOUSING | T393-K11 | 9 | 1 | BEARING | T009 |
| 60 | | | | 50 | 1 | HOUSING 'O' RING | 26T11N111 | 10 | 2 | PLUG | WP8P1-E |



DETAIL SECTION THRO' CARTRIDGE



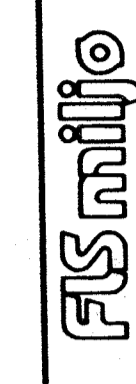
| ITEM | QTY | DESCRIPTION | PART No. |
|------|-----|-----------------------------|---------------------|
| 11 | 1 | BEARING SLEEVE | TGSL80186/87753-C23 |
| 12 | 1 | SPLASH GUARD | RIS-9500-9XEX/MAR7 |
| 13 | 1 | BORG WARNER MECHANICAL SEAL | M1223-25SC |
| 14 | 3 | SPLASH GUARD STUD | M2023-60ZX |
| 15 | 14 | LINER STUDS | TGSL80125-S01 |
| 16 | 1 | FRAME PLATE LINER SEAL | TGSL80015-E65 |
| 17 | 13 | COVER PLATE BOLTS | TGSL80015A-E65 |
| 18 | 1 | CUT-WATER BOLT | M2023-70ZX |
| 19 | 16 | LINER STUDS | TGSL80124-S01 |
| 20 | 1 | SUCTION COVER SEAL | TGSL80083DPT1-A49 |
| 21 | 1 | THROATBUSH | TGSL80190-R26 |
| 22 | 1 | SUCTION COVER | M2023-90ZX |
| 23 | 4 | THROATBUSH STUD | TGSL80147DP125-A49 |
| 24 | 1 | IMPELLER | TGSL80013-D21 |
| 25 | 1 | COVER PLATE | TGSL80018-R26 |
| 26 | 1 | COVER PLATE LINER | TGSL80032-D21 |
| 27 | 1 | FRAME PLATE | TGSL80043-R26 |
| 28 | 1 | FRAME PLATE LINER | TGSL80041-R26 |
| 29 | 1 | FRAME PLATE LINER INSERT | M3623-80ZC |
| 30 | 32 | STUD | TGSL80380-D21 |
| 31 | 1 | FRAME PLATE ADAPTOR | T2022-87753-555 |
| 32 | 1 | SHAFT SLEEVE | M4223-220ZC |
| 33 | 3 | FRAME PLATE ADAPTOR STUD | T239M-C21 |
| 34 | 1 | IMPELLER RELEASE COLLAR | TGSL80095-D21 |
| 35 | 1 | PEDESTAL | M48H1-130ZN |
| 36 | 2 | PEDESTAL BOL | TGSM003-D20 |
| 37 | 1 | BASE | T001-1ME65 |
| 38 | 1 | ADJUSTING SCREW | T025-S14 |
| 39 | 2 | END COVER GASKET | T027M-E70 |
| 40 | 16 | END COVER SETSCREW | |

CLIENTS NAME; PRZEDSIĘBIÓSTWO PANSTWOWE ELEKTROWNIA Im. T. KOSCIUSZKI
 PROJECT NAME; POLANIEC POWER STATION - PPS
 WARMAN CONTRACT REF; PC62219/003-1010

AS BUILT

| Rev. d | Rev. c | Rev. b | Original | Sign | Date | Sign | Date | Sign | Date | Scale | Original format |
|--------|--------|------------|----------|----------|------|------|------|------|------|-------|-----------------|
| | | MWD 2-2-96 | | AS BUILT | | | | | | 1:7.5 | A1 |
| | | MWD 1-5-96 | | DESIGNED | | | | | | | |

External identity:
 PRZEDSIĘBIÓSTWO PANSTWOWE ELEKTROWNIA Im. T. KOSCIUSZKI
 Title:
 Projection convent.:
 Page: of
 CAD file:
 Drawing No.:



| APP. | CHECK | DRN. | DATE | BY | DATE | CHK | DESCRIPTION |
|------|-------|------|------|----|------|-----|-------------|
| | | | | | | | |
| | | | | | | | |
| | | | | | | | |
| | | | | | | | |

WARMAN PUMP
 COMPONENTS DIAGRAM OF 800TY-GSL PUMP
 RUBBER LINED METAL IMPELLER WITH BORG WARNER MECH. SEAL
 WARMAN INTERNATIONAL LTD.
 A1-110-8-88372 B

© WARMAN INTERNATIONAL LTD. 1996. WARMAN INTERNATIONAL LTD. is the owner of the copyright subsisting in this drawing and these designs, specifications and instructions. They must not be used, reproduced or copied in whole or in part, in any form, without the prior written consent of WARMAN INTERNATIONAL LTD. The drawing has been delivered and received on the express conditions that it may be used only for the specific purpose for which it has been provided, may not be used in any way which may injure or cause loss directly or indirectly to WARMAN INTERNATIONAL LTD. or any of its subsidiaries.